

4

3

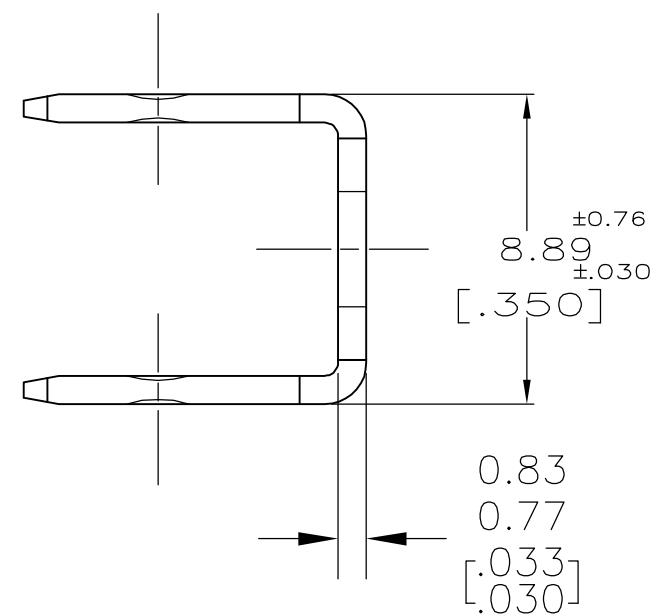
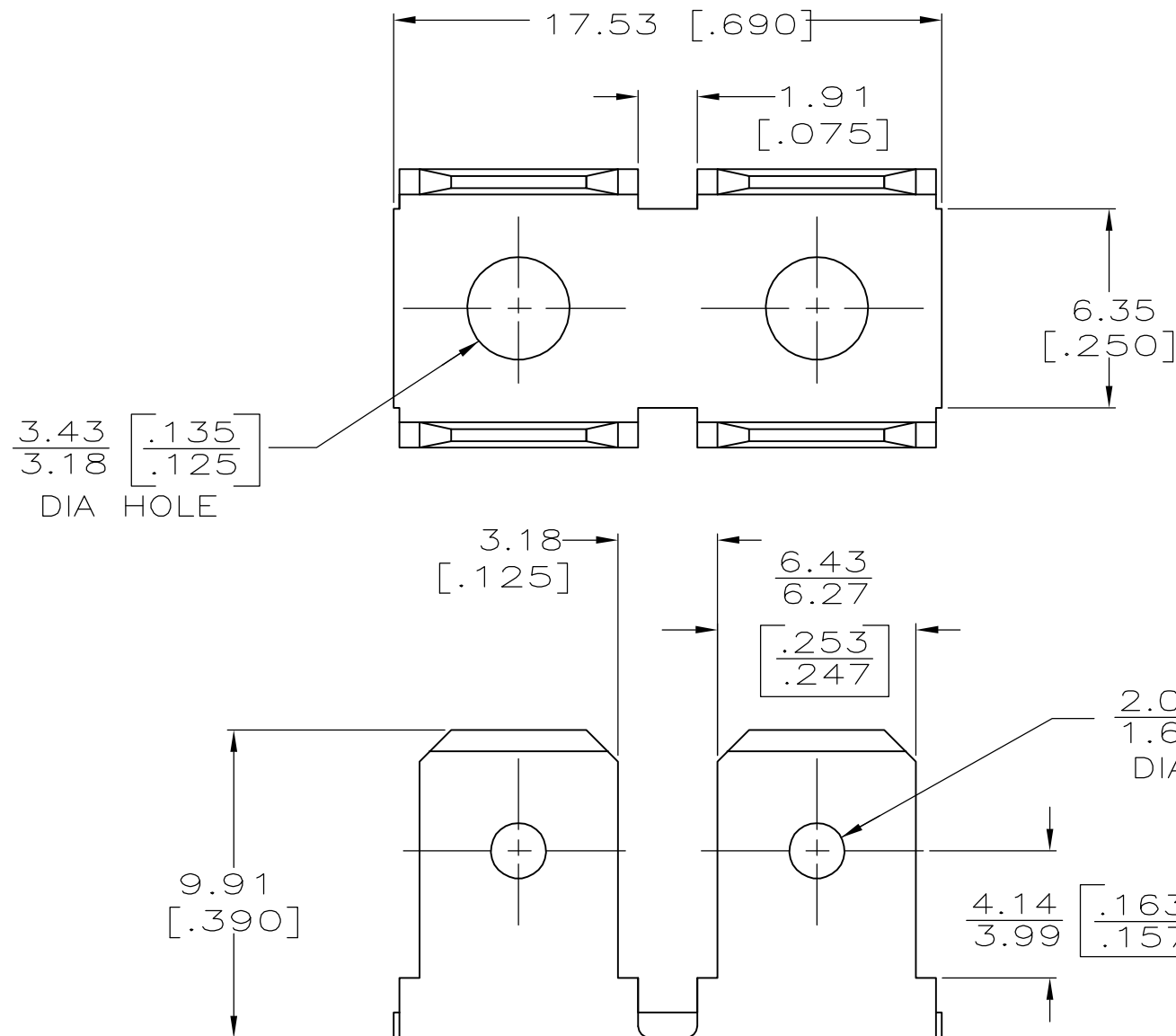
2

1

THIS DRAWING IS UNPUBLISHED. RELEASED FOR PUBLICATION
 © COPYRIGHT BY TYCO ELECTRONICS CORPORATION. ALL RIGHTS RESERVED.

LOC	DIST	REVISIONS					
AF	50	P	LTR	DESCRIPTION	DATE	DWN	APVD
			AF	REV PER ECR-05-017287	29MAR06	HMR	JR

1 SUPPLIED IN LOOSE PIECE



41481
 PART NO

THIS DRAWING IS A CONTROLLED DOCUMENT.		DWN	JR RUTH	12/2/91		Tyco Electronics Corporation	
		CHK	MS FEHER	12/2/91		Harrisburg, PA 17105-3608	
		APVD	MEYERS	12/2/91		NAME	
DIMENSIONS: mm [INCHES]		TOLERANCES UNLESS OTHERWISE SPECIFIED: 0 PLC ± - 1 PLC ± - 2 PLC ± - 3 PLC ± 0.38 [.015] 4 PLC ± - ANGLES ± -			PRODUCT SPEC -		
MATERIAL 082 BRASS		FINISH TIN			APPLICATION SPEC -		
		WEIGHT -			SIZE A3		CAGE CODE 00779
		CUSTOMER DRAWING			DRAWING NO C-41481		RESTRICTED TO -
		SCALE 5:1			SHEET 1 OF 1		REV AF